

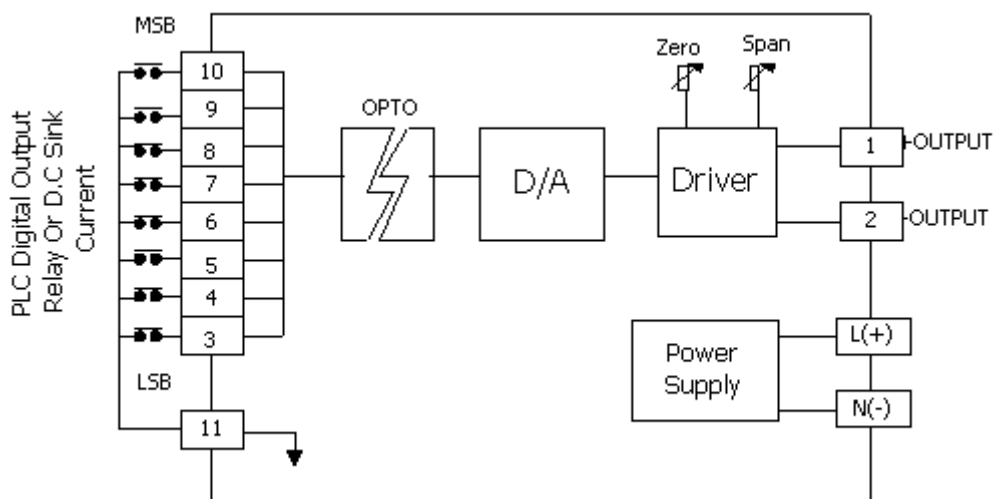
# D To A Converter

## DA98



- 8 bit D to A converter
- Isolated input, output
- PLC analog Output

**D To A Converter DA98** received digital signal from Digital Output of PLC inform of Binary Code, and then transmitting to Analog (0 to 10 VDC, 4 to 20 mA, 1 to 5 VDC) DA98 is help to control analog signal using Digital output signal of PLC.



## **Specifications**

### **Digital Input**

**Number of channel:** 8 Channels

**Sensor Type:** Dry Contact (Binary Code)

#### **Dry Contact:**

ON : Short to GND

OFF : Open

### **Analog Output**

**Number of channel:** 1 Channel

**Output type:** Current, Voltage

#### **Output range:**

Current (4 to 20 mA)

Voltage (0 to 10, 0 to 5, 1 to 5 VDC)

**ADC Resolution:** 8 bit D to A Converter

**Isolation voltage:** 500 VAC between input, output and power supply

**Ordering Information:** Specify Output, Power Supply

Example DA98/4-20mA/220VAC

### **Package Checklist**

1. DA98

### **Power Requirements**

**Power Supply:** 100, 220 VAC  
24 VDC (Optional)

### **Environmental Limits**

**Operating Temperature:** 0 to 55 °C

**Operating Humidity:** 5 to 95% RH

**Storage Temperature:** 0 to 70 °C

### **Physical Characteristics**

**Dimension:** W50 x H70 x D130 mm.

**Mounting:** Wall or DIN rail

**Construction:** Plug-in 11 pins socket

### **Warranty**

**Warranty Period:** 5 year